

DESCRIPTION

DIMENSIONS IN INCHES
(A x B x C)

PART NUMBER

CFM

EFF. @
0.3"

INCHES
W.G.

VGXL99-610x610x292-OU-PS	24 x 24 x 11-1/2	855017000	1910	99.99	0.8
VGXL99-595x595x292-OU-PS	23-3/8 x 23-3/8 x 11-1/2	855017001	1770	99.99	0.8
VGXL99-610x305x292-OU-PS	24 x 12 x 11-1/2	855017002	840	99.99	0.8
VGXL99-595x289x292-OU-PS	23-3/8 x 11-3/8 x 11-1/2	855017003	790	99.99	0.8

MATERIALS NOTES:

1. FILTER MEDIA: MICRO-GLASS FIBER / ACRYLIC RESIN BINDER
2. FRAME MAT'L: PLASTIC
3. SEALANT MAT'L: FIRE RESISTANT / PHOSPHORUS FREE TWO PART POLYURETHANE
4. GASKET MAT'L: NON-FLOWING URETHANE

TESTING NOTES:

1. EACH FILTER SHALL BE TESTED FOR EFFICIENCY IN ACCORDANCE WITH IEST-RP-CC-007.
2. MUST TEST FILTERS WITH PAO ONLY.

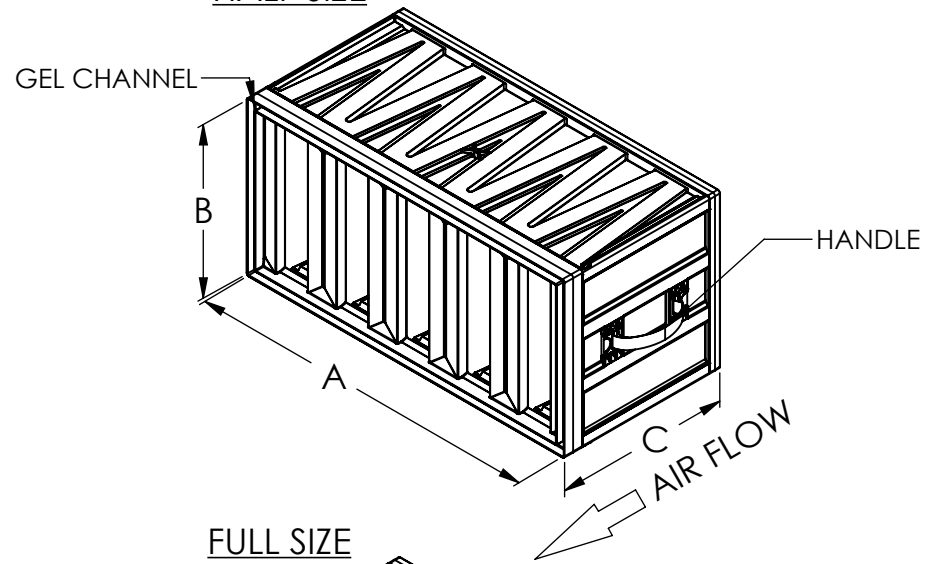
FILTER SPECIFICATIONS:

PLEAT DEPTH (IN): 24mm
 EFFICIENCY (%): SEE TABLE
 MAX. OPERATION TEMP: 175°
 MAX. REL. HUMIDITY (%): 99%

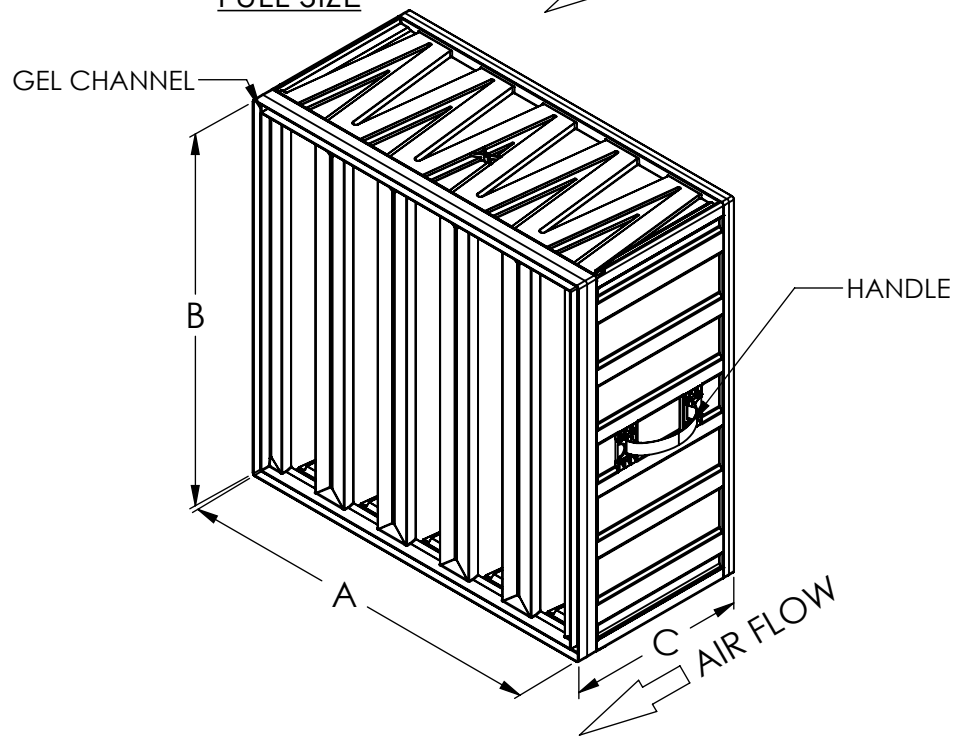
FRAME TOLERANCES:

LENGTHS (A , B) = +0.00, -0.070"
 DEPTH (C) = +0.060", -0.040"

HALF SIZE



FULL SIZE



CUSTOMER APPROVAL BLOCK

YOUR APPROVAL OF THIS PRINT AUTHORIZES CAMFIL USA INC. TO PROCEED WITH MATERIAL PROCUREMENT, TOOLING AND PRODUCT FABRICATION. ANY CHANGES MADE AFTER APPROVAL MAY INCUR FURTHER EXPENSES TO THE CUSTOMER.

OK AS IS SEND REVISED DWG.

SIGNATURE/DATE: _____

COMPANY NAME: _____



© Camfil USA Inc.

DESCRIPTION
 ABSOLUTE VG
 PLASTIC
 -

APPROVED BY: SM DATE: 7/10/2024
 DRAWN BY: BB DATE: 7/10/2024

SHEET 1 OF 1 DRAWING NUMBER 512142 REV.